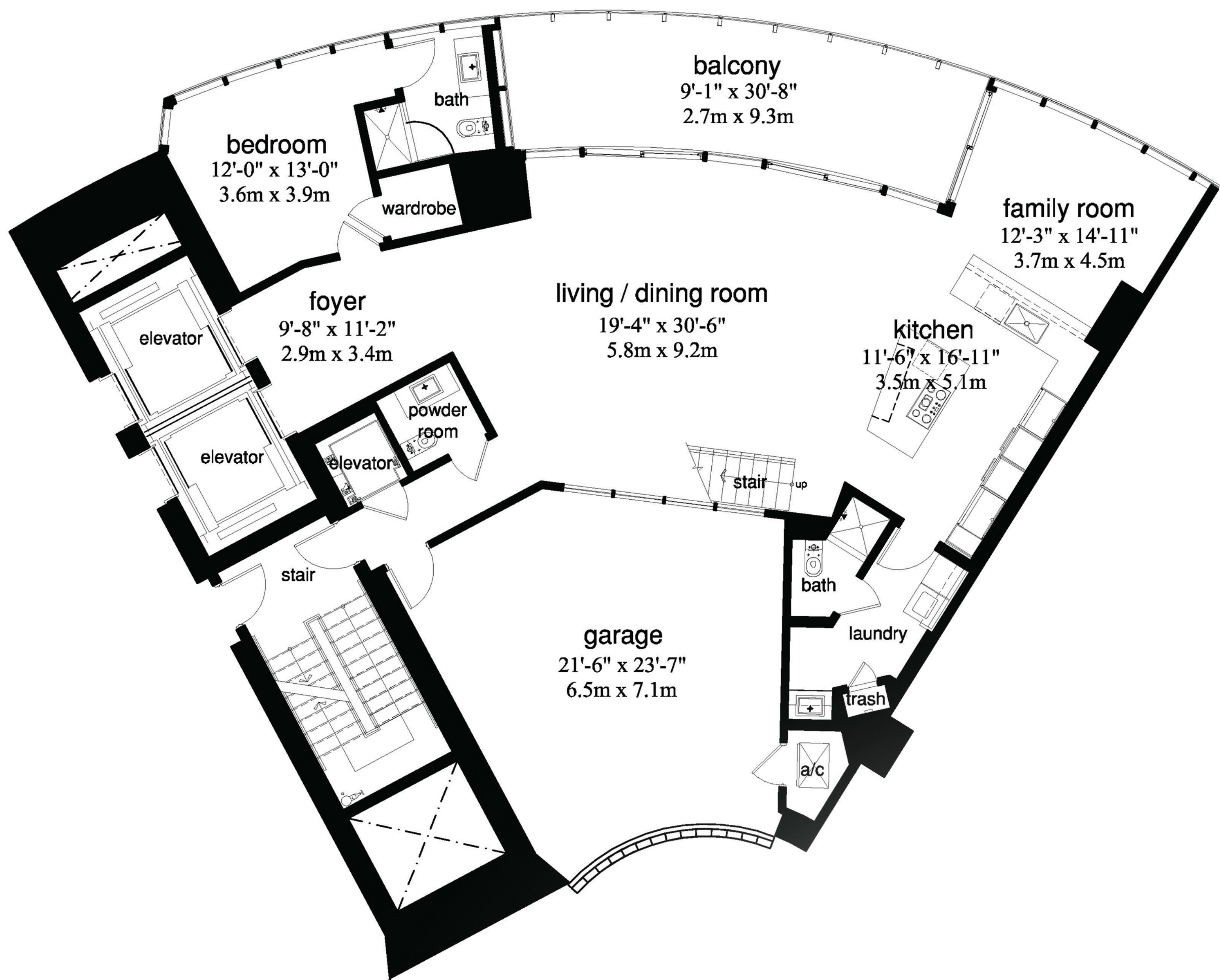
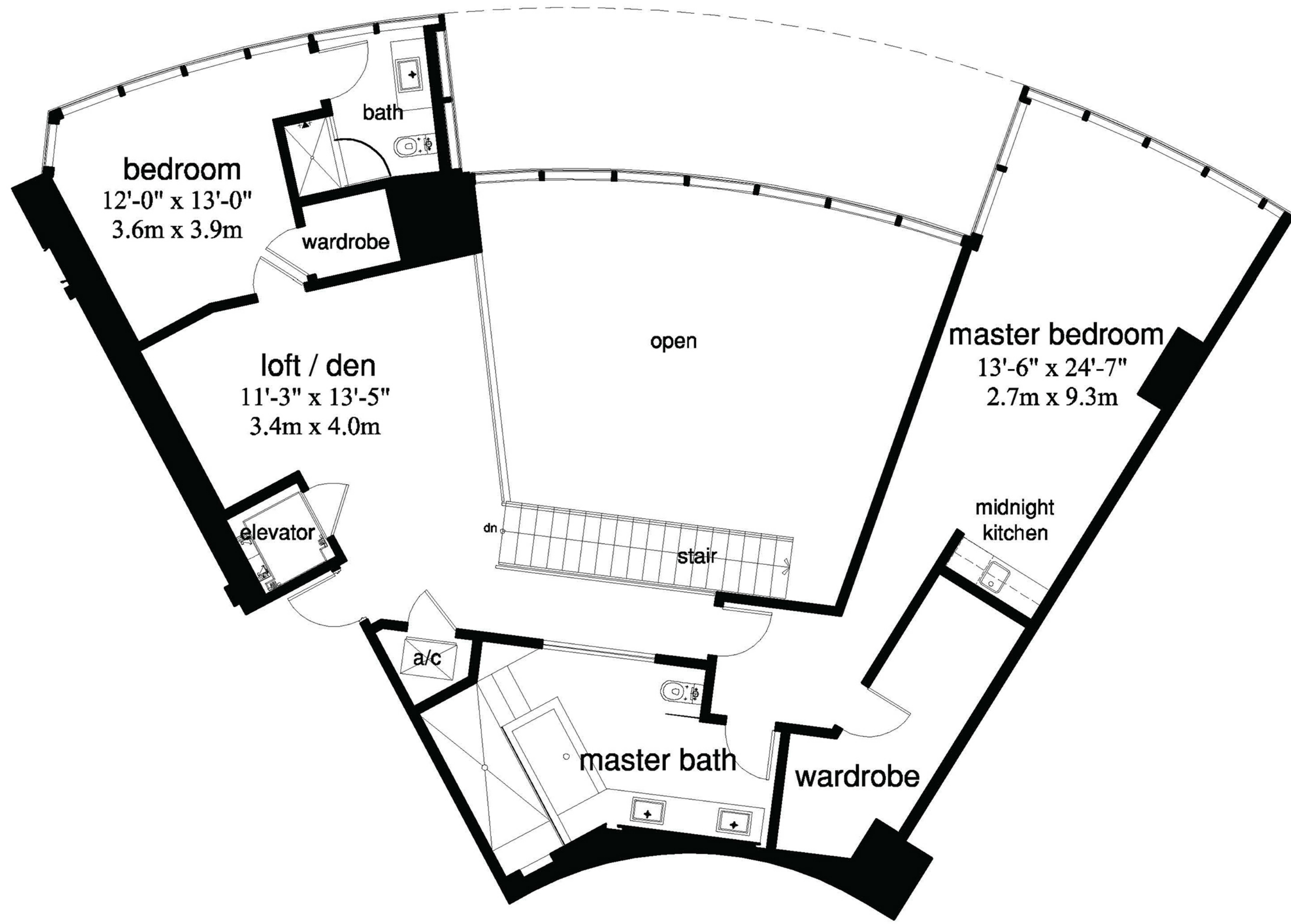
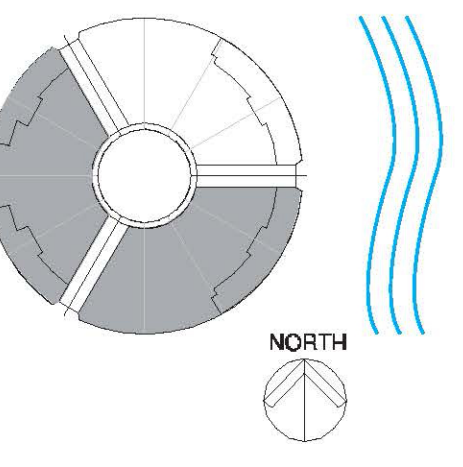


P'0395

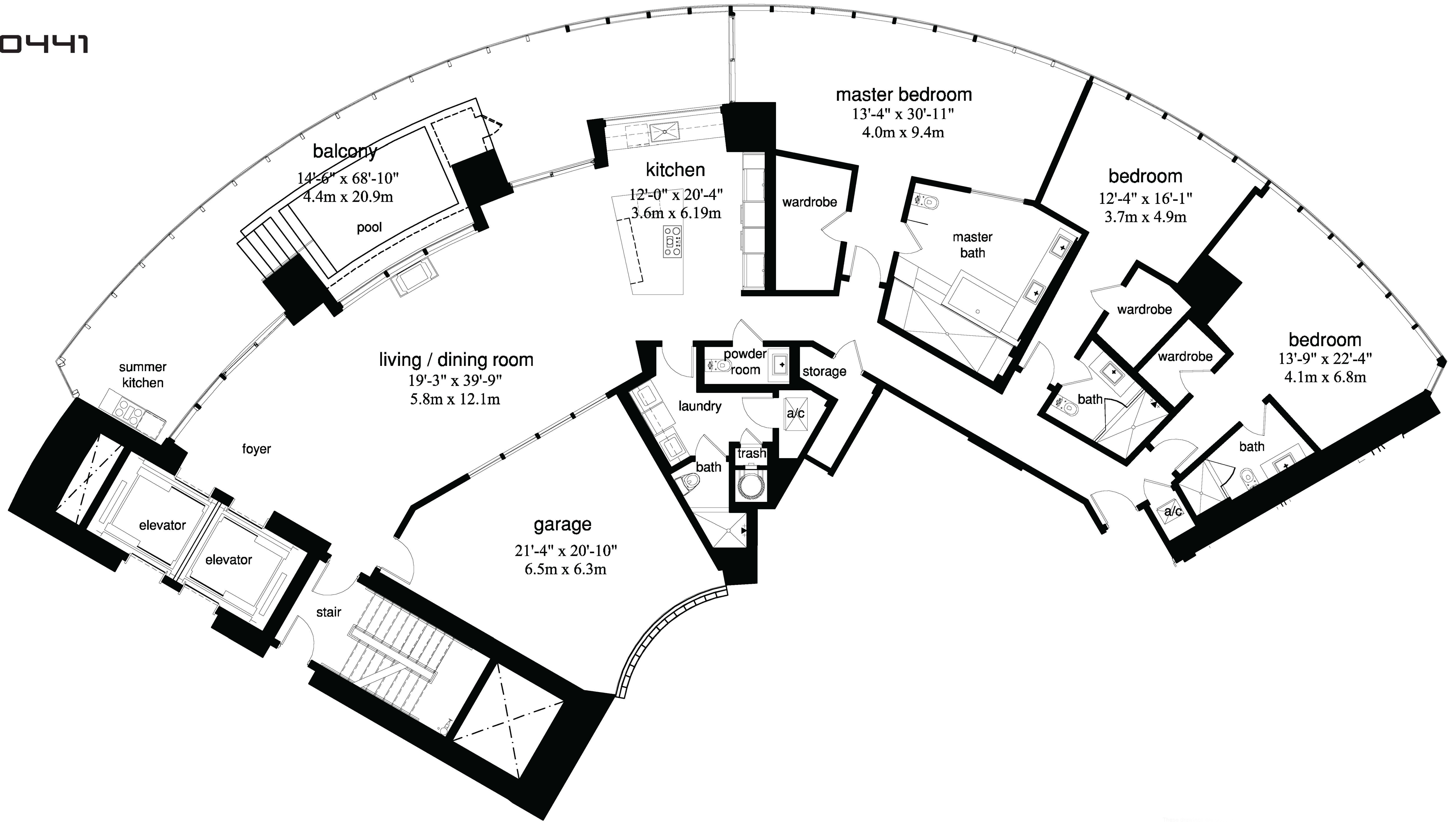


Area	Lower [SQ FT   M <sup>2</sup> ]	Upper [SQ FT   M <sup>2</sup> ]	Total [SQ FT   M <sup>2</sup> ]
Interior	1,846   171.4	1,576   146.4	3,422   317.9
Balcony	288   26.7		288   26.7
Garage	542   50.3		542   50.3
<b>Total</b>	<b>2,676   248.4</b>		<b>4,252   394.9</b>

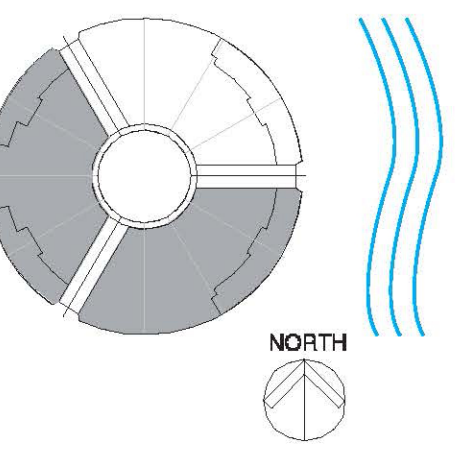
These drawings are conceptual only and are not intended to be used for construction. They should not be relied upon as representations, warranties or guarantees of any kind. The drawings are provided for informational purposes only and are not intended to be used for construction. The drawings are provided for informational purposes only and are not intended to be used for construction. The drawings are provided for informational purposes only and are not intended to be used for construction.



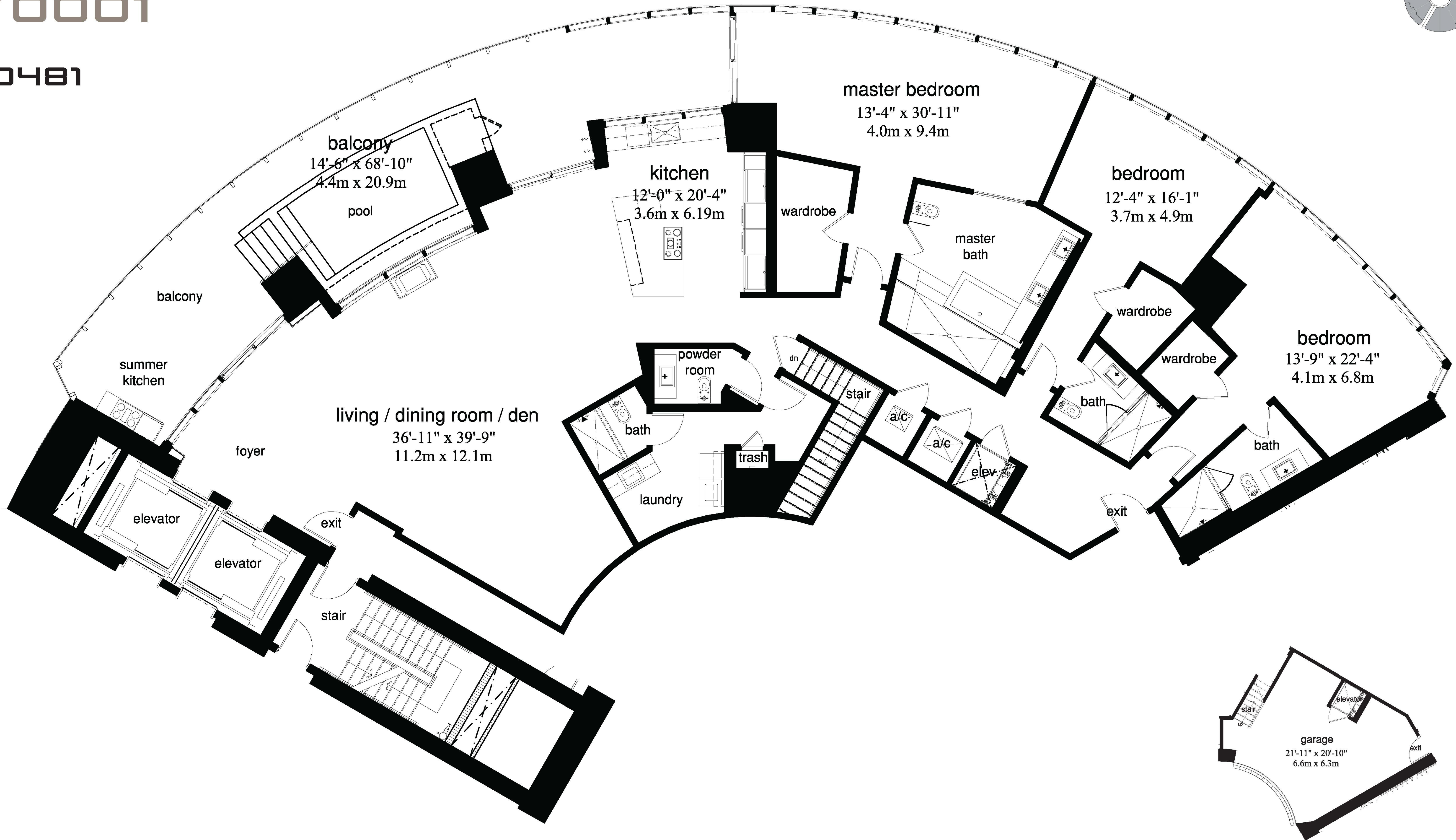
P'0441



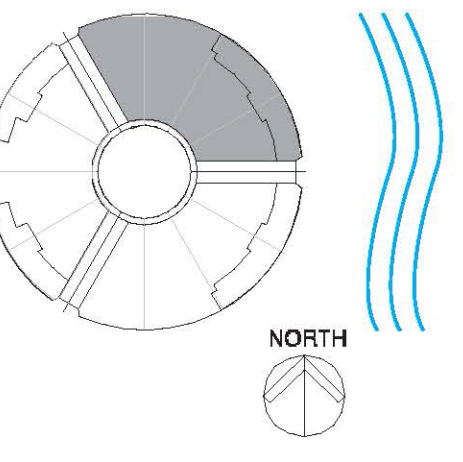
Area	SQ FT	M <sup>2</sup>
Interior	3,415	317.2
Balcony	831	77.2
Garage	503	46.7
<b>Total</b>	<b>4,749</b>	<b>441.1</b>



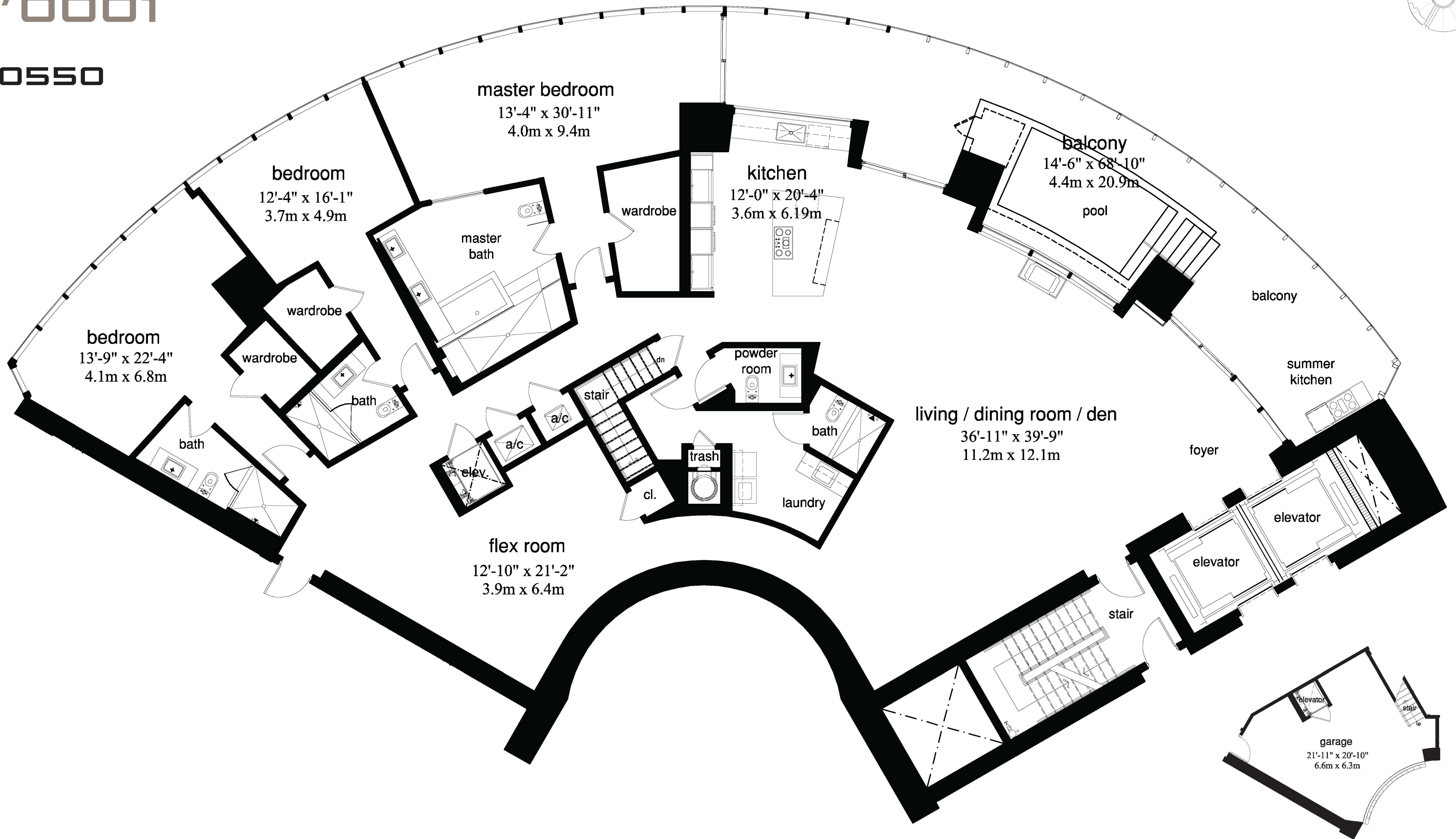
P'0481



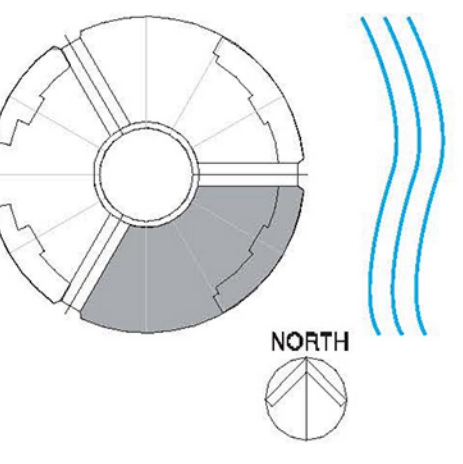
Area	SQ FT	M <sup>2</sup>
Interior	3,785	351.6
Balcony	831	77.2
Garage	569	52.8
<b>Total</b>	<b>5,185</b>	<b>481.6</b>



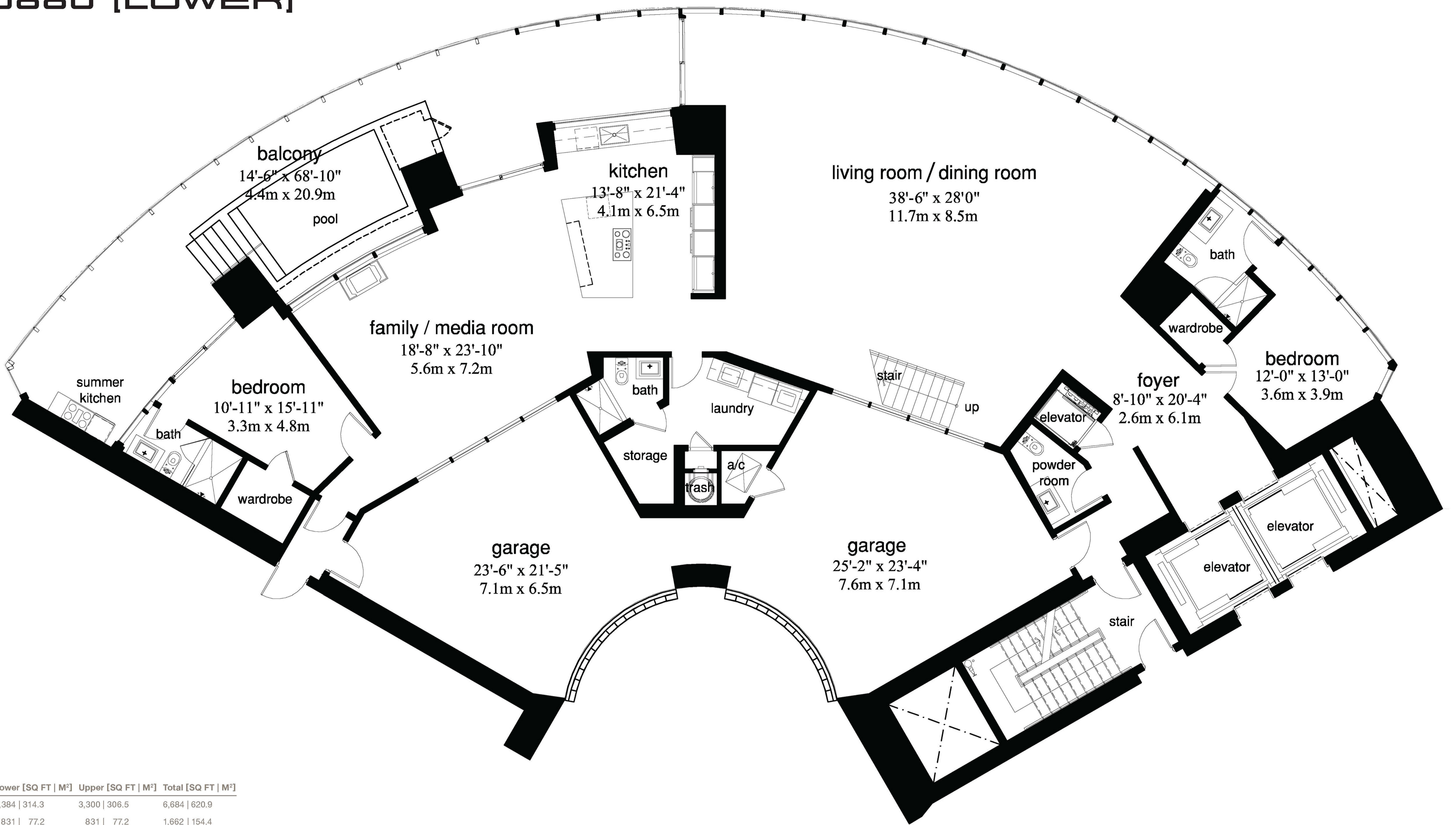
P'0550



Area	SQ FT	M <sup>2</sup>
Interior	4,513	419.2
Balcony	831	77.2
Garage	569	52.8
<b>Total</b>	<b>5,913</b>	<b>549.2</b>

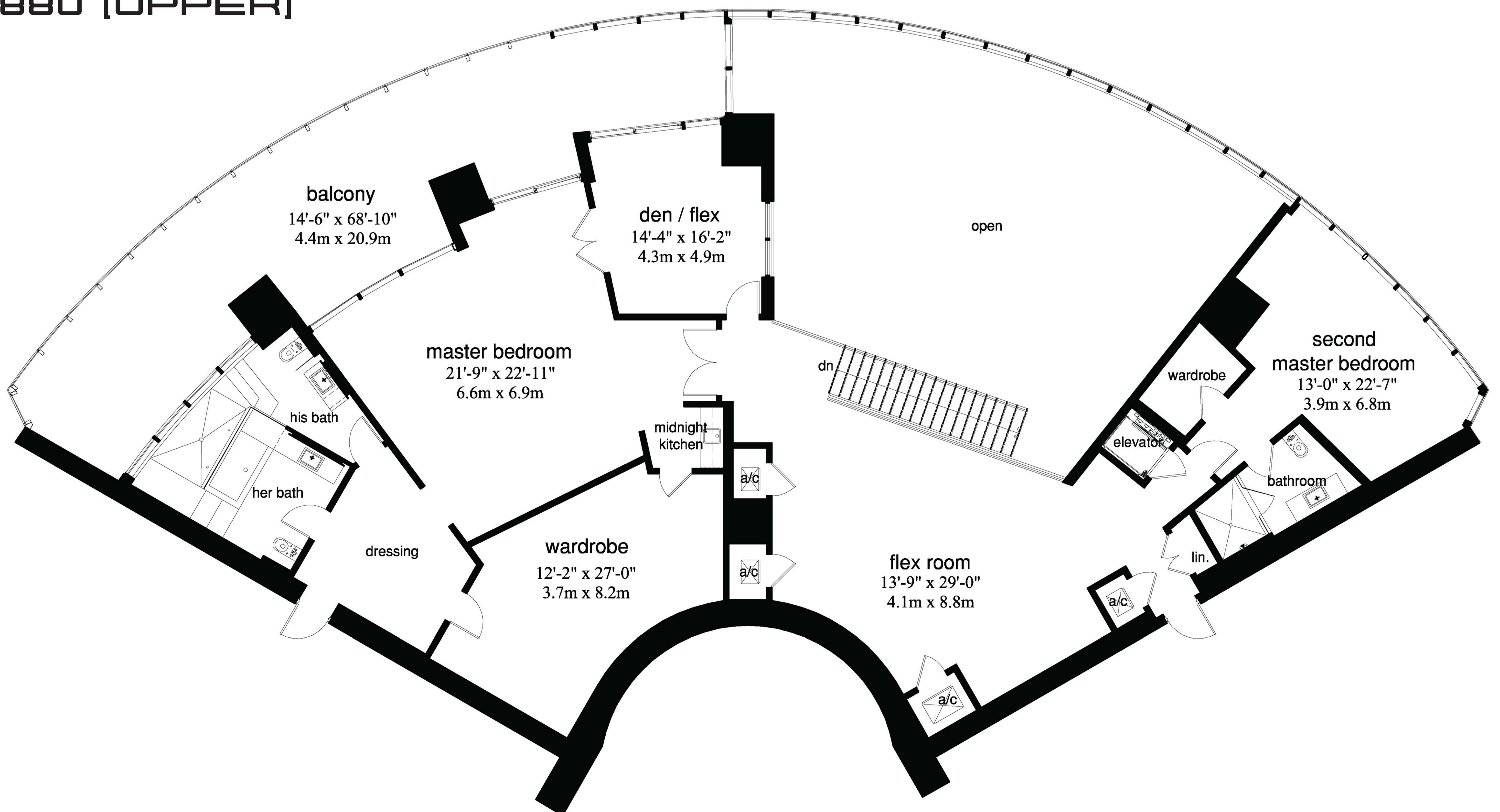


P'0880 [LOWER]

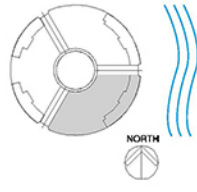


Area	Lower [SQ FT   M²]	Upper [SQ FT   M²]	Total [SQ FT   M²]
Interior	3,384   314.3	3,300   306.5	6,684   620.9
Balcony	831   77.2	831   77.2	1,662   154.4
Garage	1,128   104.8		1,128   104.8
<b>Total</b>	<b>5,343   496.3</b>	<b>4,131   383.7</b>	<b>9,474   880.1</b>

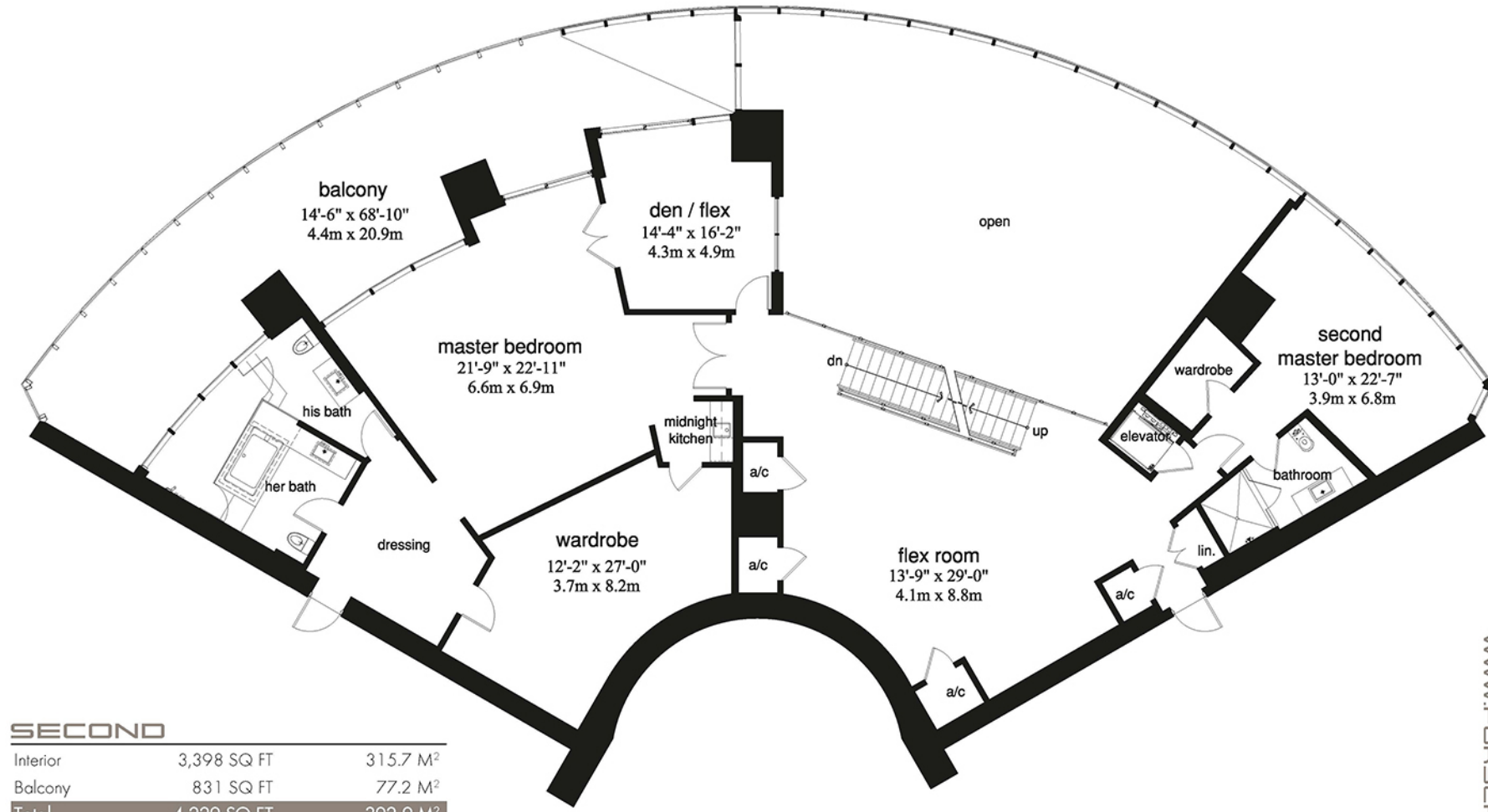
P'0880 [UPPER]



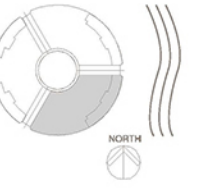
Area	Lower [SQ FT   M²]	Upper [SQ FT   M²]	Total [SQ FT   M²]
Interior	3,384   314.3	3,300   306.5	6,684   620.9
Balcony	831   77.2	831   77.2	1,662   154.4
Garage	1,128   104.8		1,128   104.8
<b>Total</b>	<b>5,343   496.3</b>	<b>4,131   383.7</b>	<b>9,474   880.1</b>



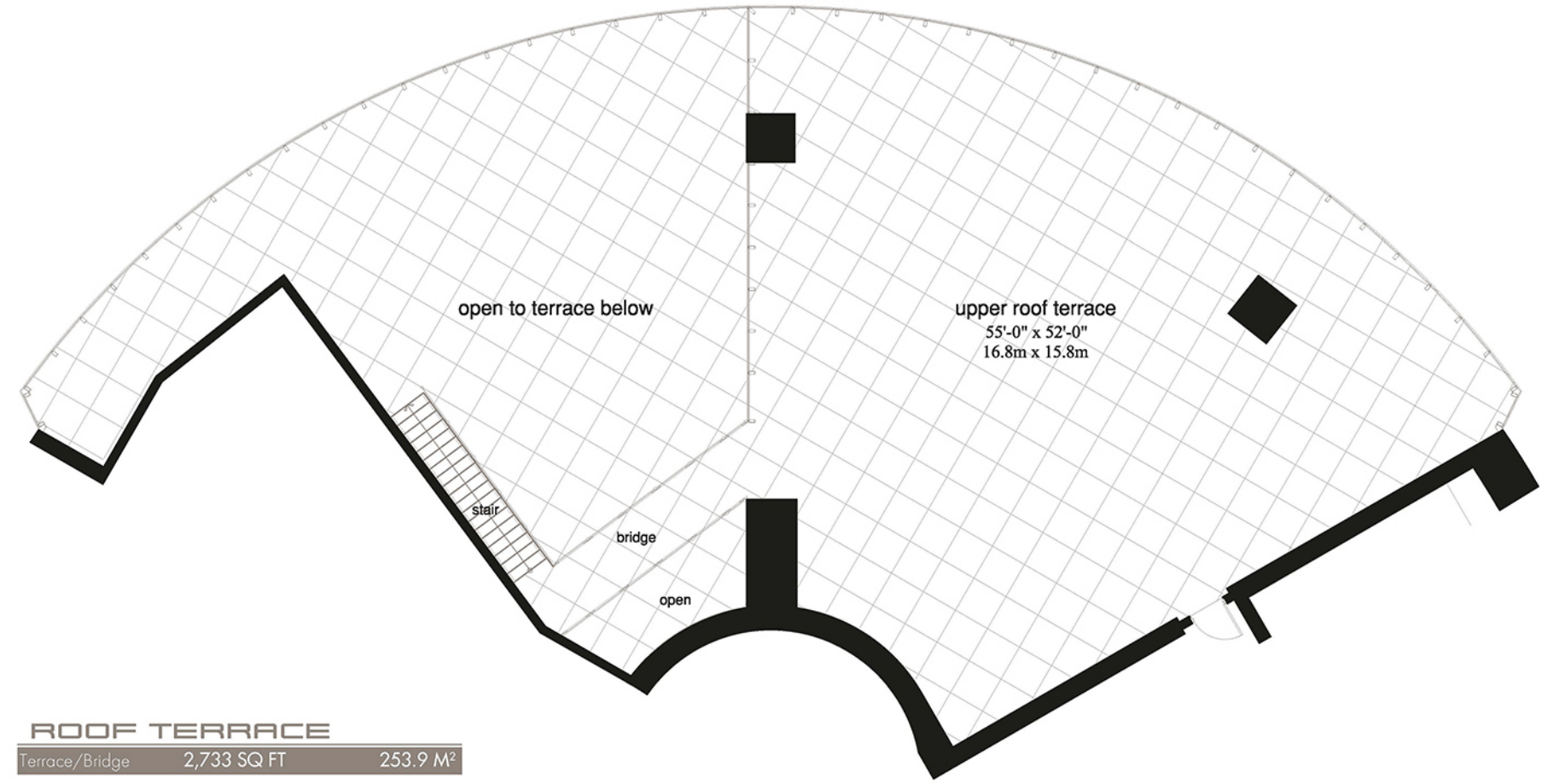
P'1571



SECOND		
Interior	3,398 SQ FT	315.7 M <sup>2</sup>
Balcony	831 SQ FT	77.2 M <sup>2</sup>
<b>Total</b>	<b>4,229 SQ FT</b>	<b>392.9 M<sup>2</sup></b>

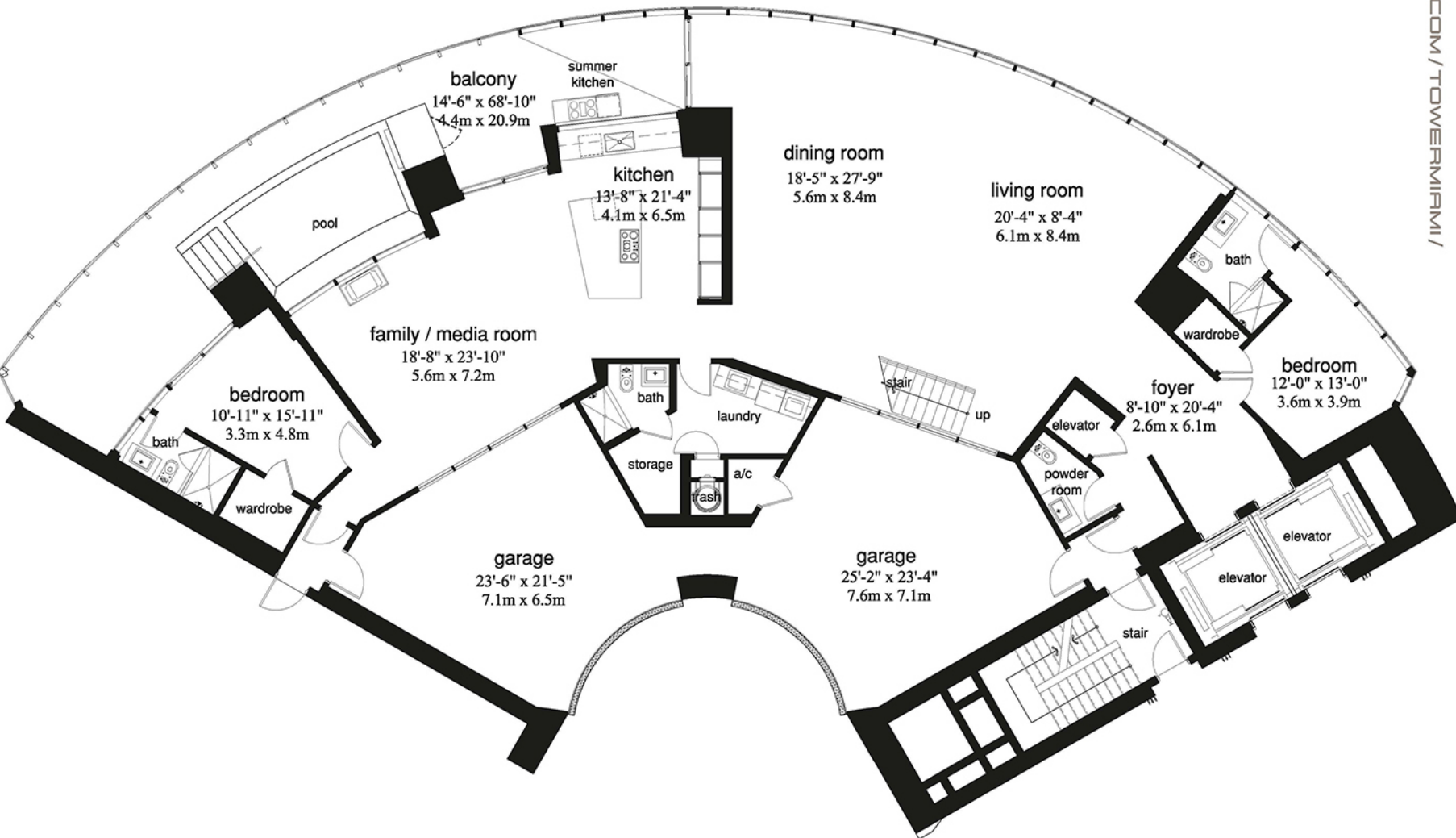


P'1571



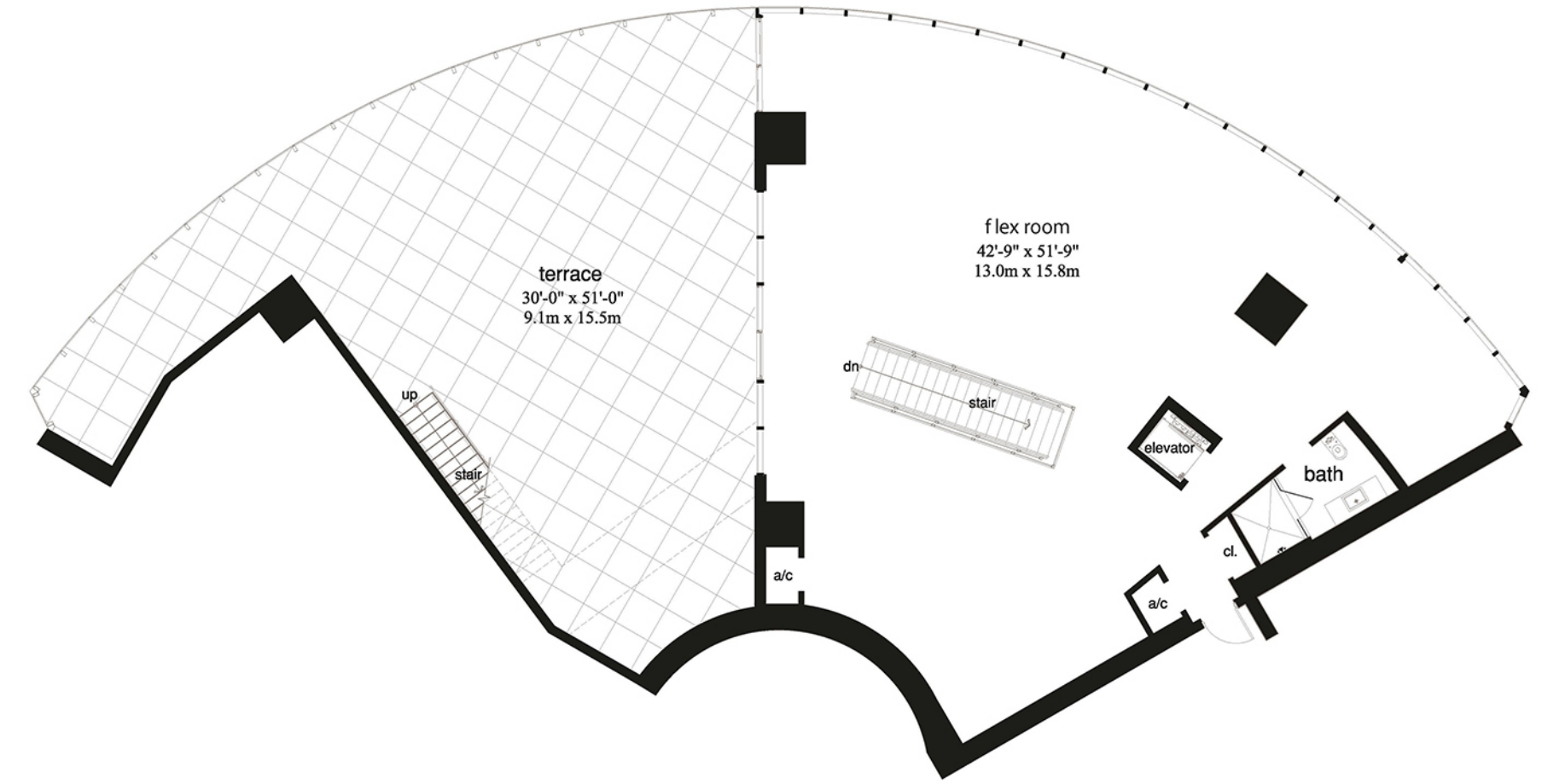
ROOF TERRACE		
Terrace/Bridge	2,733 SQ FT	253.9 M <sup>2</sup>

WWW.PORSCHE-DESIGN.COM / TOWERMIAMI /



FIRST		
Interior	3,384 SQ FT	314.3 M <sup>2</sup>
Balcony	831 SQ FT	77.2 M <sup>2</sup>
Garage	1,128 SQ FT	104.8 M <sup>2</sup>
<b>Total</b>	<b>5,343 SQ FT</b>	<b>496.3 M<sup>2</sup></b>

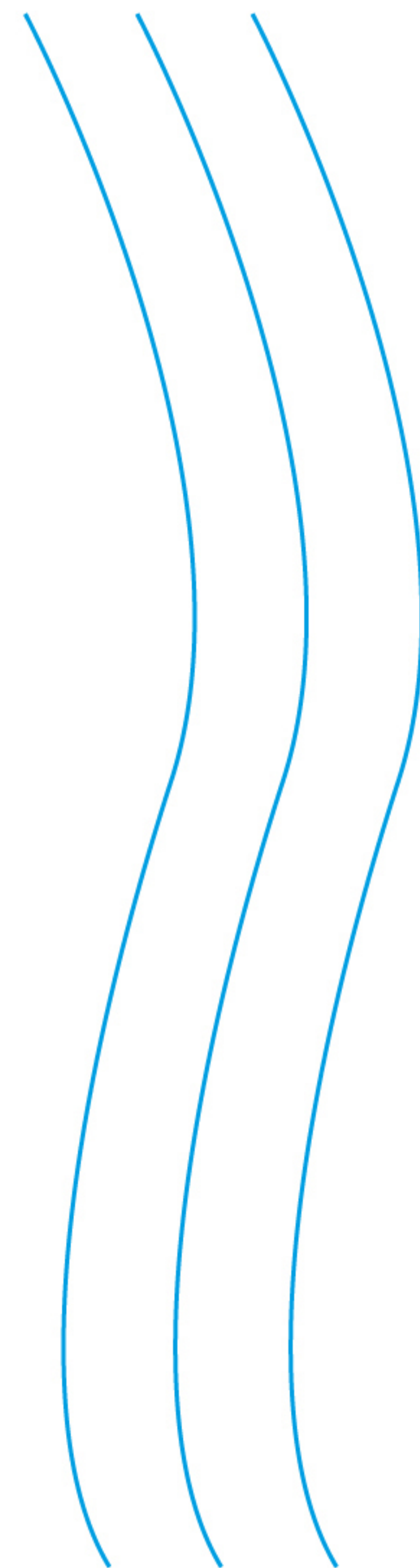
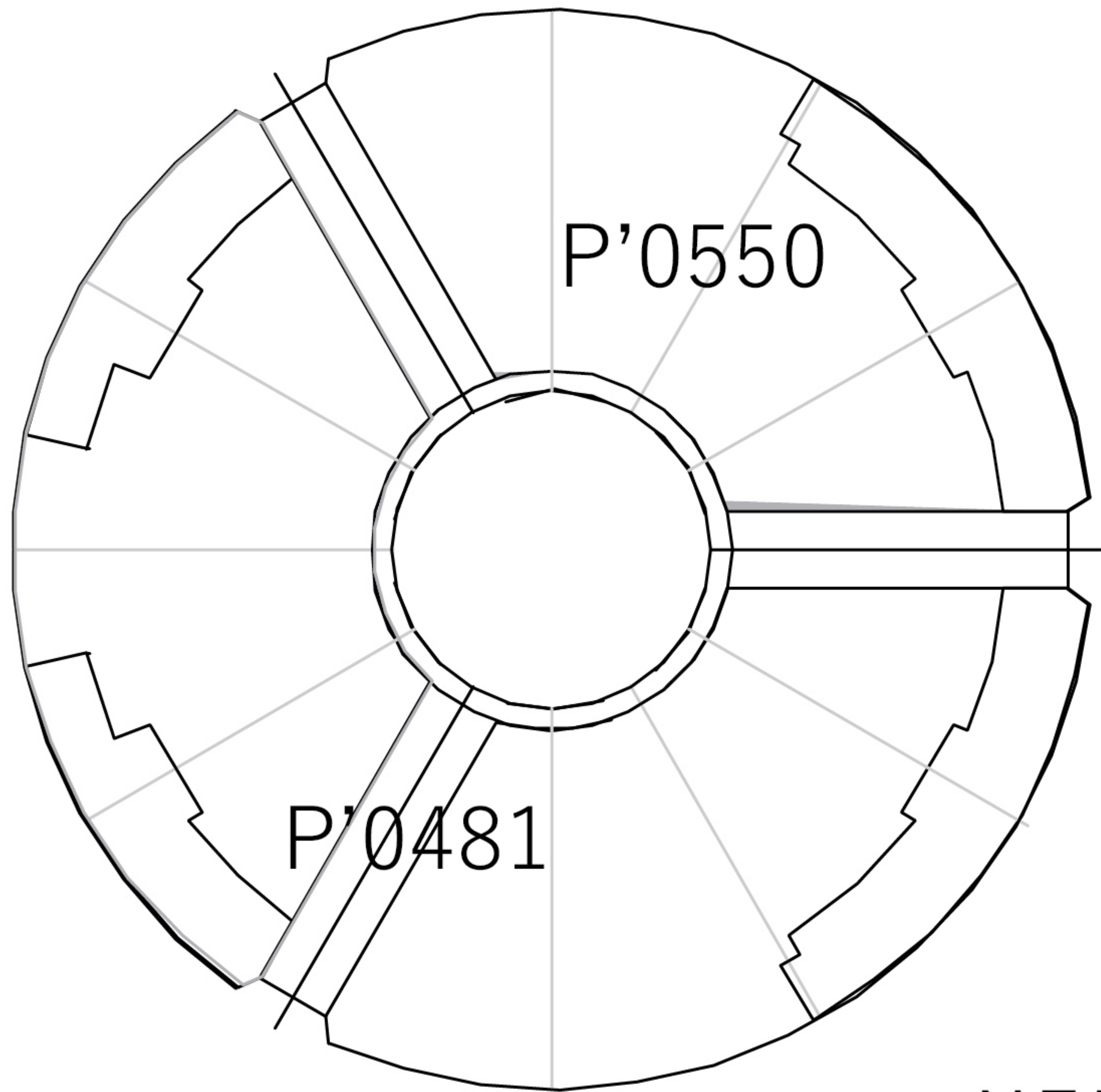
TOTAL		
Interior	9,560 SQ FT	888.2 M <sup>2</sup>
Balcony	6,227 SQ FT	578.5 M <sup>2</sup>
Garage	1,128 SQ FT	104.8 M <sup>2</sup>
<b>Total</b>	<b>16,915 SQ FT</b>	<b>1,571.5 M<sup>2</sup></b>



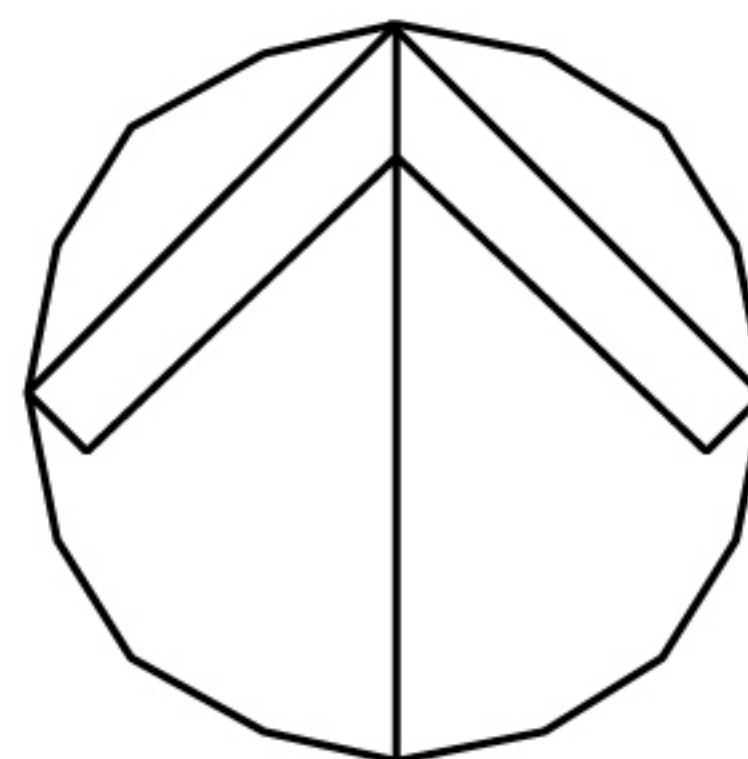
THIRD		
Interior	2,778 SQ FT	258.1 M <sup>2</sup>
Balcony	1,832 SQ FT	170.2 M <sup>2</sup>
<b>Total</b>	<b>4,610 SQ FT</b>	<b>428.3 M<sup>2</sup></b>

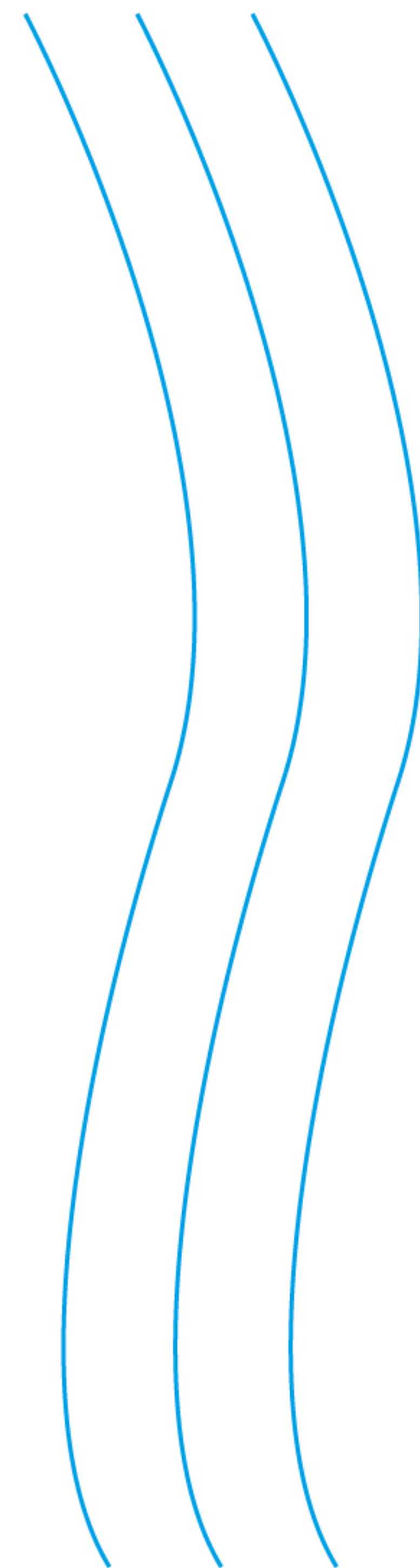
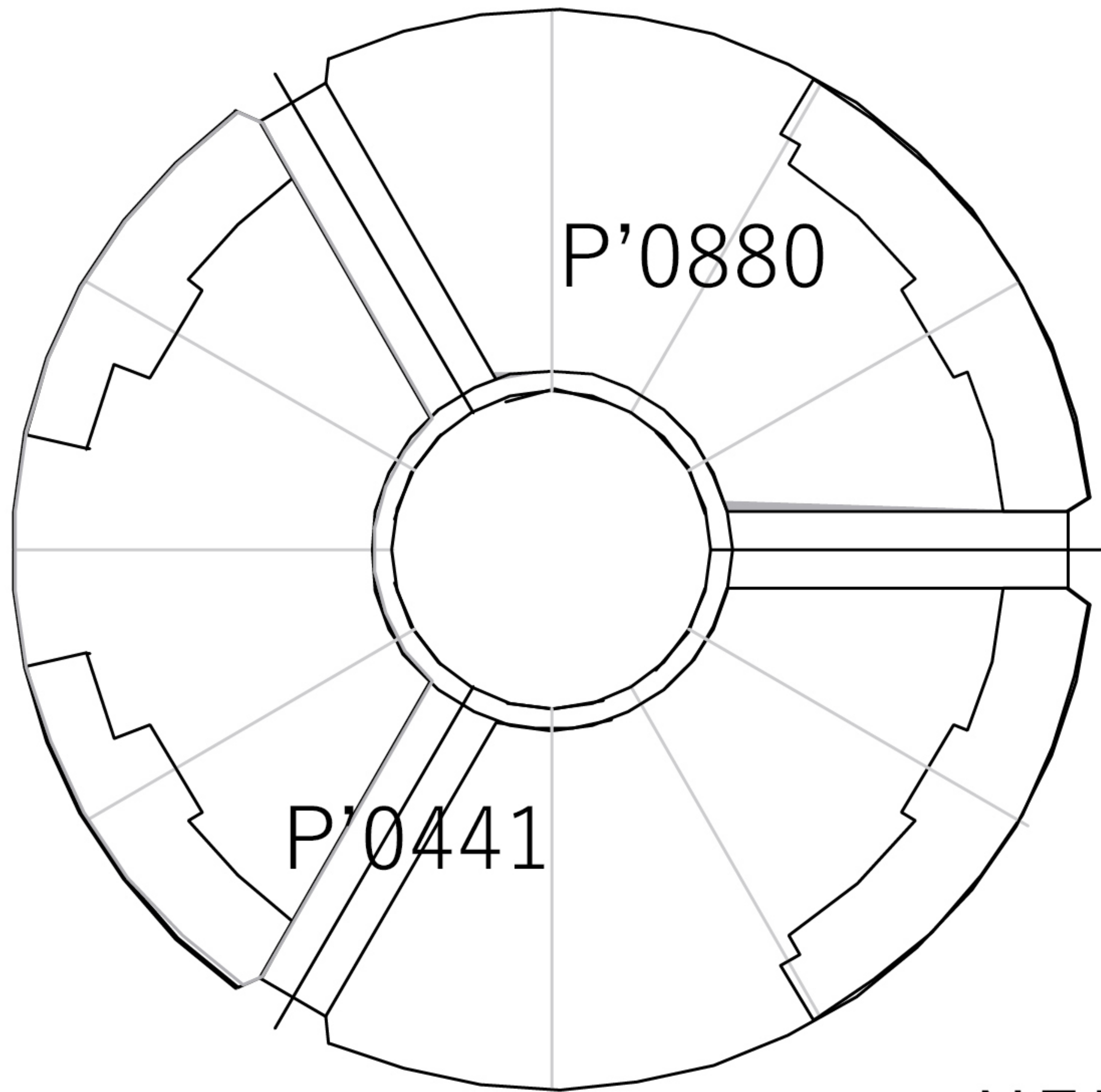
TOTAL		
Interior	9,560 SQ FT	888.2 M <sup>2</sup>
Balcony	6,227 SQ FT	578.5 M <sup>2</sup>
Garage	1,128 SQ FT	104.8 M <sup>2</sup>
<b>Total</b>	<b>16,915 SQ FT</b>	<b>1,571.5 M<sup>2</sup></b>

This drawing is a preliminary architectural rendering and does not constitute an offer of real estate. It is intended for informational purposes only. All dimensions and specifications are subject to change without notice. © 2011 Porsche Design Miami, LLC. All rights reserved.

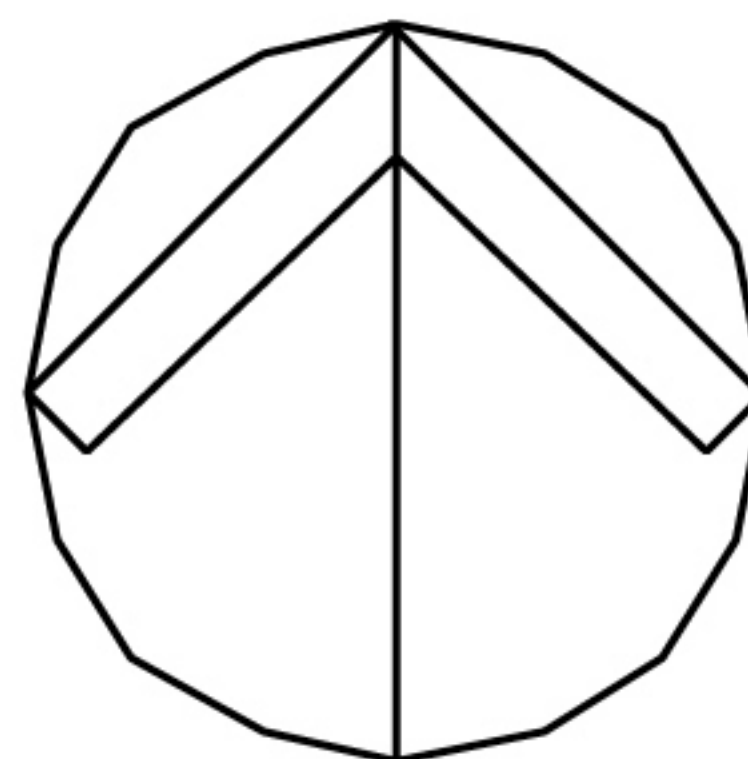


**NORTH**

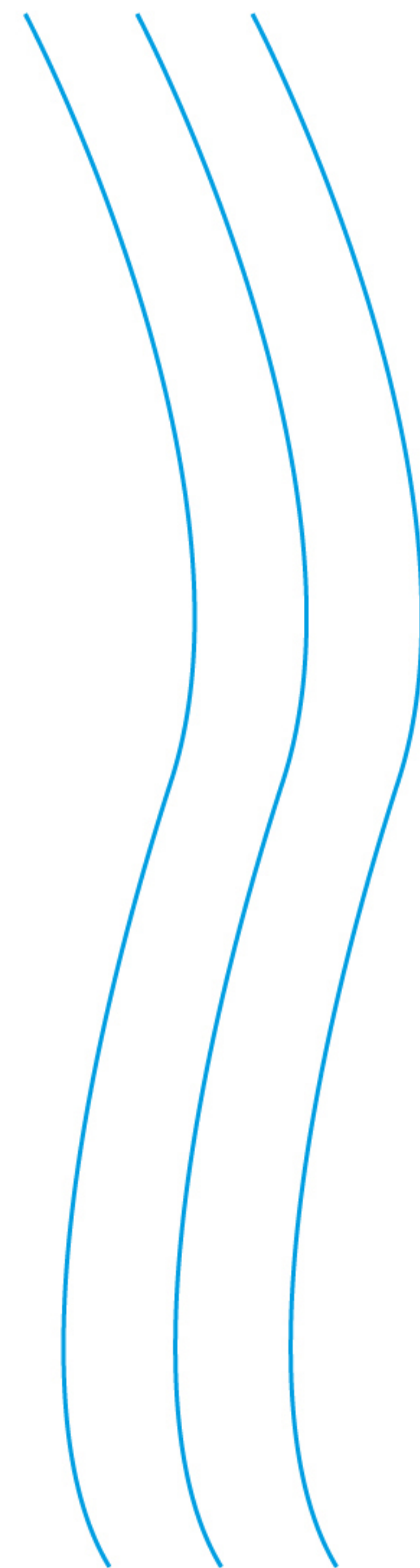
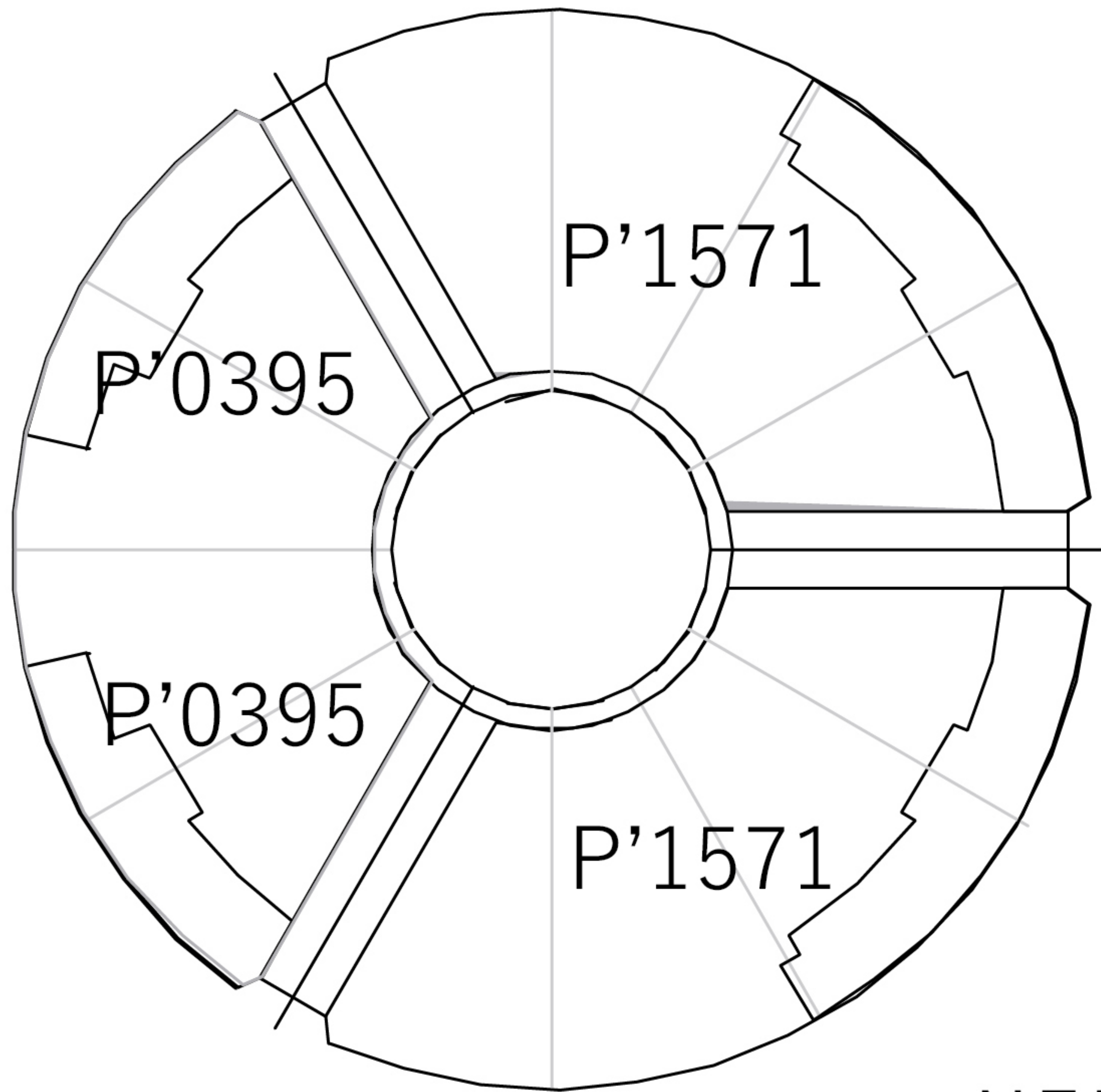




**NORTH**







**NORTH**

